



6\_memory\_acquire.vi

C:\Users\tzwingm\Documents\CameraSDK\LabVIEW\6\_memory\_acquire.vi

Last modified on 07.06.2012 at 11:21

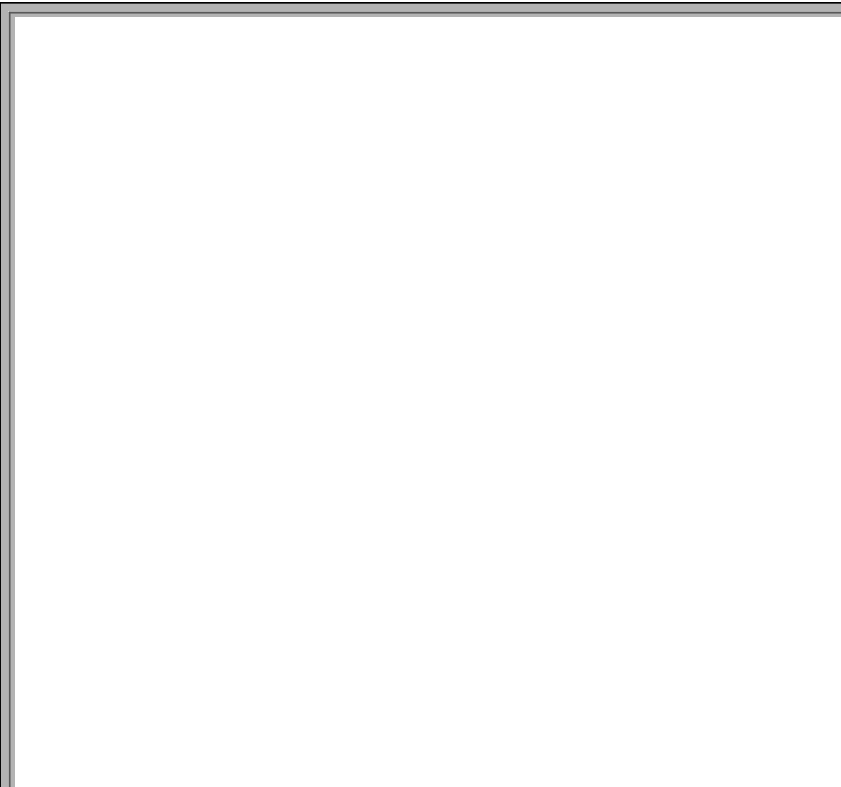
Printed on 16.01.2013 at 13:25

Connector Pane

6\_memory\_acquire.vi



Front Panel



Displaying frame n. 0

STOP VI

RECORD

Start acquiring  frames in camera memory

Abort current acquisition Software Trigger !

A valid acquisition is present in camera memory when the light is green

Sensor Gain  Exposure [ns]  Acquisition Period [ns]

Sync Mode  Exposure Mode  Record Mode

PLAYBACK

Play recorded frames from frame n.  to n.

error status

status code

source





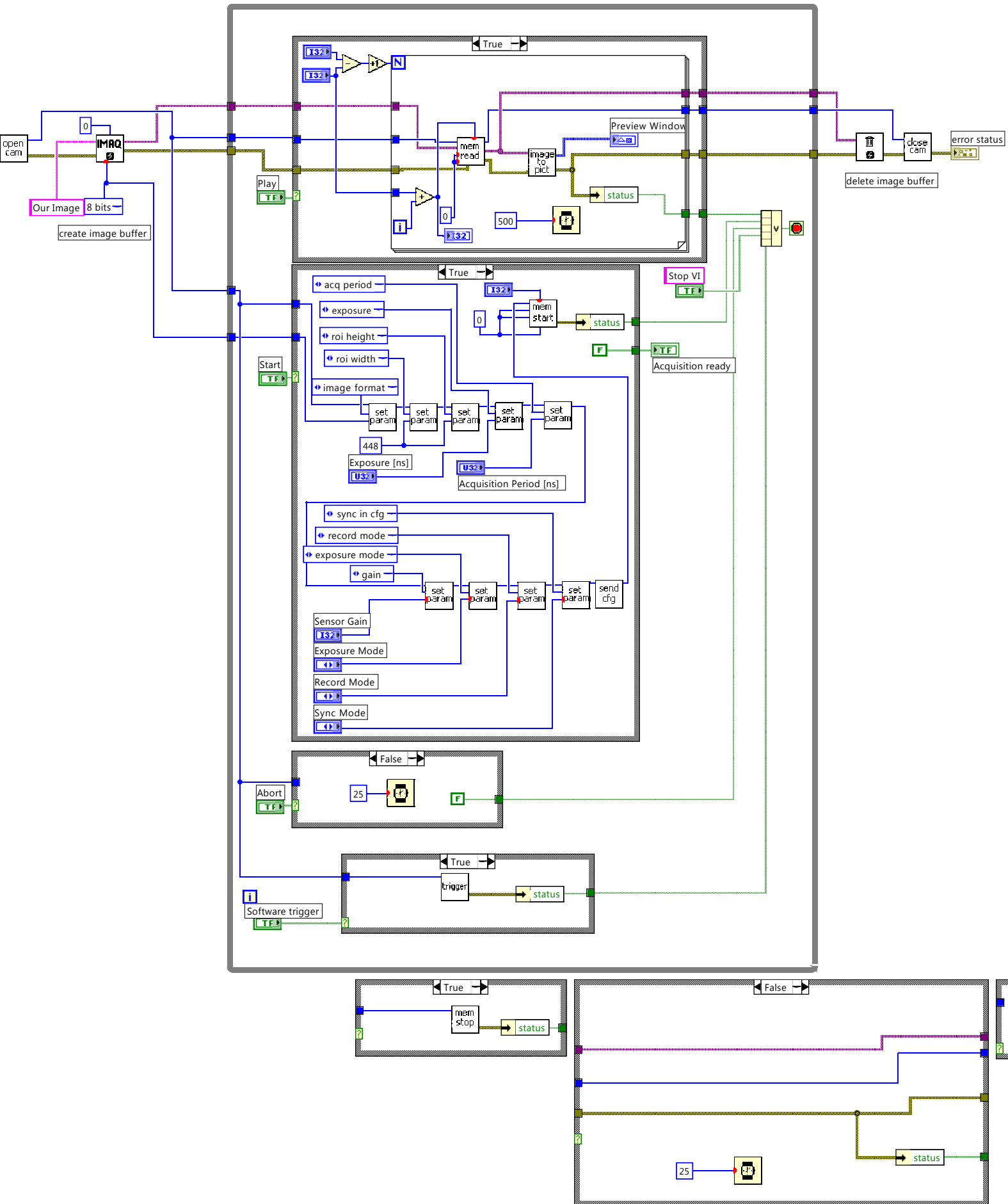
6\_memory\_acquire.vi

C:\Users\tzwingm\Documents\CameraSDK\LabVIEW\6\_memory\_acquire.vi

Last modified on 07.06.2012 at 11:21

Printed on 16.01.2013 at 13:25

### Block Diagram



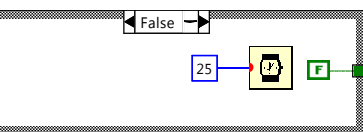


6\_memory\_acquire.vi

C:\Users\tzwingm\Documents\CameraSDK\LabVIEW\6\_memory\_acquire.vi

Last modified on 07.06.2012 at 11:21

Printed on 16.01.2013 at 13:25





6\_memory\_acquire.vi

C:\Users\tzwingm\Documents\CameraSDK\LabVIEW\6\_memory\_acquire.vi

Last modified on 07.06.2012 at 11:21

Printed on 16.01.2013 at 13:25

